



**BOLYMIN, INC.**

# LED LIGHTING LED T8 4FT TUBE BUBAS

Special optical technology  
Creates spaciousness and atmosphere  
Can be replaced with conventional  
T8 Tubular Lamp.

No socket replacement needed



**Otali**



Beam angle more than 300 degrees.

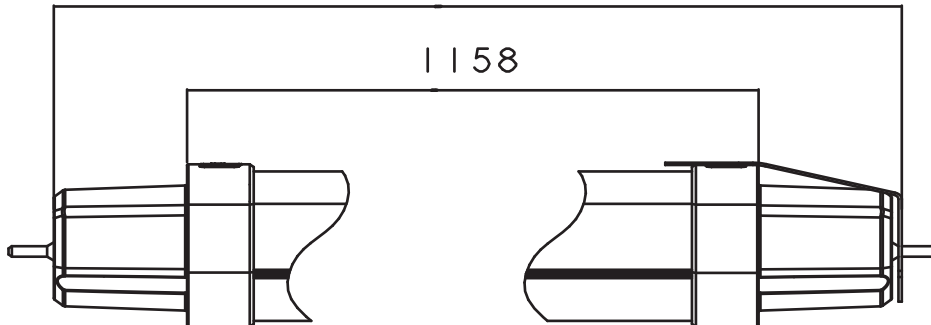
**Others**



Beam angle less than 180 degrees.

1198

1158



Name	LED T8 Tube 4ft -Single stage
Power Consumption	18W
Color Temperature	5700+/-500K
Output Lumens	1800 lm
Weight	450g
Life	40,000hrs
Base	G13
Light Angle	300 degree
Input	100V~240V
Part Number	BUBASW18WAA



**Otali**