



BOLYMIN, INC.

LED LIGHTING LED T8 4FT TUBE BUBAS

Special optical technology
Creates spaciousness and atmosphere
Can be replaced with conventional
T8 Tubular Lamp.

No socket replacement needed



Otali



Beam angle more than 300 degrees.

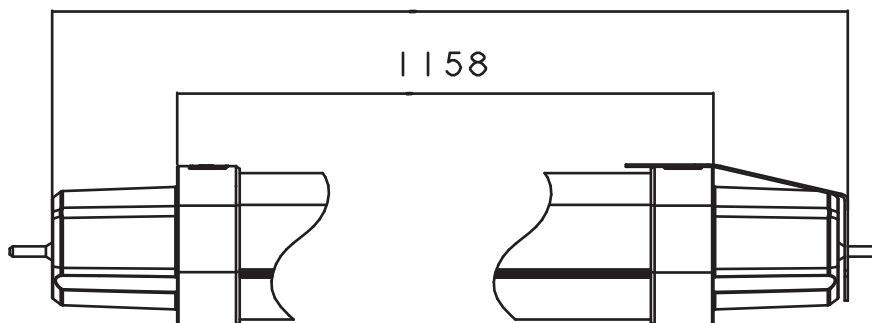
Others



Beam angle less than 180 degrees.

1198

1158



Name	LED T8 Tube 4ft -Single stage
Power Consumption	20W
Color Temperature	5700+/-500K
Output Lumens	2010 lm
Weight	490g
Life	40,000hrs
Base	G13
Light Angle	300 degree
Input	100V~240V
Part Number	BUBASW20WAA



Otali