

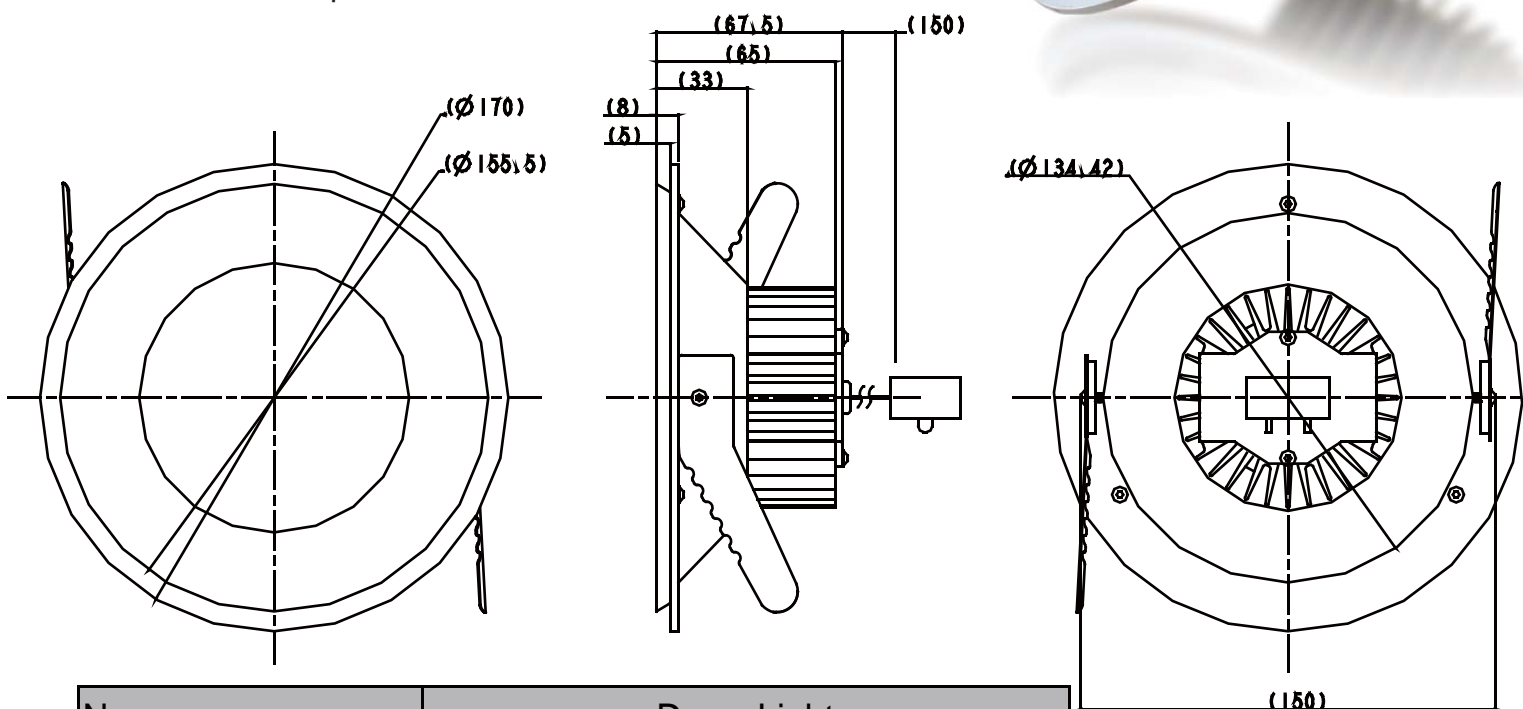


BOLYMIN, INC.

LED LIGHTING DOWN LIGHT BUDAM

FEATURES:

- * Energy saving, long life, maintenance free.
- * Low power consumption, efficient heat dissipation, efficient lighting.
- * No harmful substances, such as mercury.
- * No pollution, no radiation, no stroboscopic effects.



Name	Down Light	
Power Consumption	10W	
Color Temperature	5300K Cool White	2800K Warm White
Output Lumens	330 Lux @1meter	230 Lux @1meter
Weight	480g	
Life	40000 hrs	
Light Angle	120 degree	
Input	90-240V	
Part Number	BUDAMW10WAA	BUDAMY10WAA



Otali