

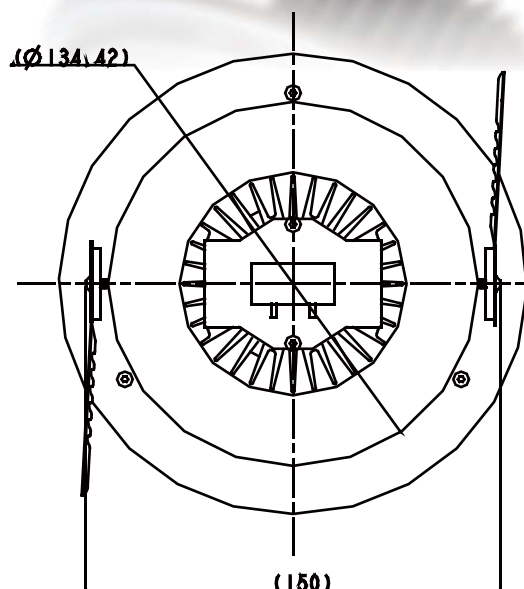
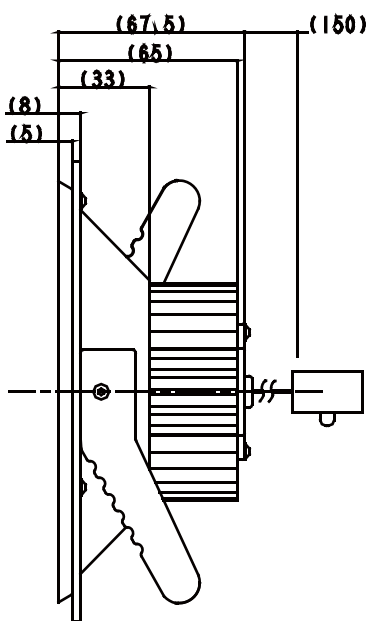
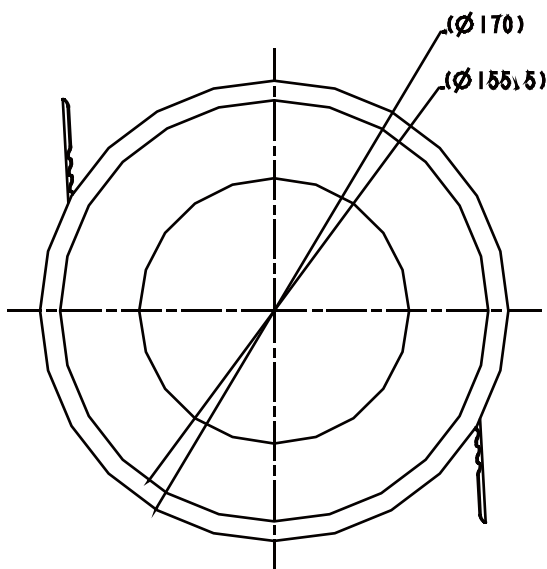


BOLYMIN, INC.

# LED LIGHTING DOWN LIGHT BUDAM

## FEATURES:

- \* Energy saving, long life, maintenance free.
- \* Low power consumption, efficient heat dissipation, efficient lighting.
- \* No harmful substances, such as mercury.
- \* No pollution, no radiation, no stroboscopic effects.



Name	Down light 2-Brightness switchable 2-Color switchable
Power Consumption	10W 10W → 5W
Color Temperature	5300K (Cool White) +/-500K 2800K (Warm White) +/-300K
Output Lumens	10W (Cool White) 295Lux@1meter 5W (Cool White) 245Lux@1meter 10W (Warm White) 165Lux@1meter 5W (Warm White) 115Lux@1meter
Weight	480g
Life	40,000hrs
Light Angle	120 degree
Input	90V~240V
Part Number	BUDAMW10WAB



Otali